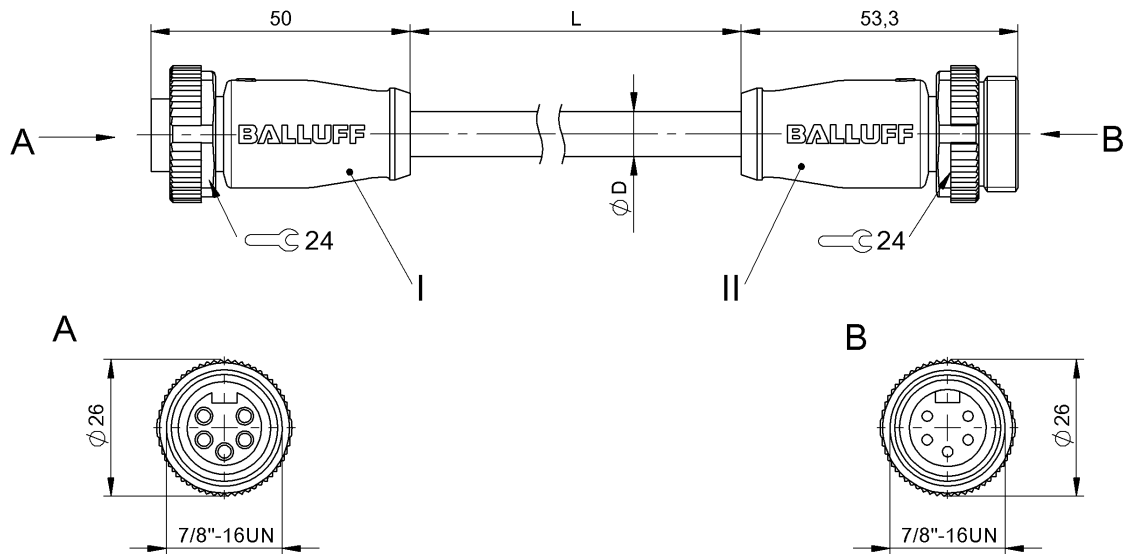


Double-Ended Cordsets  
**BCC A315-A315-30-347-EX45W6-010**  
**Order Code: BCC0LPA**

**BALLUFF**



**Basic features**

Approval/Conformity	CE cULus WEEE
---------------------	---------------------

**Electrical connection**

Cable	TPE Yellow, 1 m
Cable diameter D	9.78 mm ±0.18 mm
Cable, bending cycles min.	2 mil.
Conductor cross-section	16 AWG
Connection 1	7/8"-Female, straight, 5-pin
Connection 2	7/8"-Male, straight, 5-pin
Number of conductors	5
System	Molded/Molded

**Electrical data**

Cable rated voltage AC max.	600 V
Cable rated voltage DC max.	600 V
Operating voltage Ub	300 VDC / 300 VAC
Operating voltage Ub 3-phase network	277/480V AC +/- 15%
Rated current (40 °C)	4.0 A

**Remarks**

Flame resistance acc. to FT4  
 UV resistant  
 Oil-resistant  
 Enclosure rating per IEC 60529, only in screwed state with the associated mating piece.

**Environmental conditions**

Cable temperature, fixed routing	-40...105 °C
IP rating	IP67, IP68/IP67, IP68

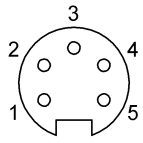
**Material**

Cable jacket, material	TPE
Material contact carrier	PUR/PUR
Material contacts	Brass/Brass
Material cover nut	Die-cast zinc/Die-cast zinc
Material grip	PUR/PUR

**Mechanical data**

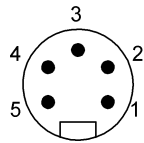
Cable jacket, color	Yellow
Cable length L	1.00 m
Tightening torque pigtail	1.5 Nm/1.5 Nm

## Connector Drawings



I

PIN 1: white  
PIN 2: red  
PIN 3: green  
PIN 4: orange  
PIN 5: black



II

PIN 1: white  
PIN 2: red  
PIN 3: green  
PIN 4: orange  
PIN 5: black

## Wiring Diagrams

